

LA-250/300 SERIES

TAKISAWA[®]
T A I W A N

LA-250[L]
LA-250M[L]
LA-250Y[L]
LA-300

CNC
LATHE



More

www.takisawa.com.tw

Taiwan TAKISAWA Technology Co., Ltd.

No.505, Sec. 3, Yenping Rd., Pingchen Dist.,
Taoyuan City 324, Taiwan.

TEL : +886-3-4643166 FAX : +886-3-4642614

No.89, Sec. 1, Meishi Rd., Yangmei Dist.,
Taoyuan City 326, Taiwan.

TEL : +886-3-4813119 FAX : +886-3-4813185

E-mail : callcenter@takisawa.com.tw

Shanghai TAKISAWA Mechatronics Ltd.

No.1568, Yuanguo Road, Anting Town, Jiading
District, Shanghai

TEL : +86-21-59562955 FAX : +86-21-59562956

TAKISAWA[®]
T A I W A N

Distributor

**BUILT TO JAPANESE QUALITY
STANDARDS BY TAIWAN TAKISAWA.**



LA-250/300 series
P.3



Spindle specifications
P.6



Spindle output diagram
P.6



Turret specifications
Power chart for milling tool
P.7



Machine dimensions
Working ranges
Interference diagrams
P.9



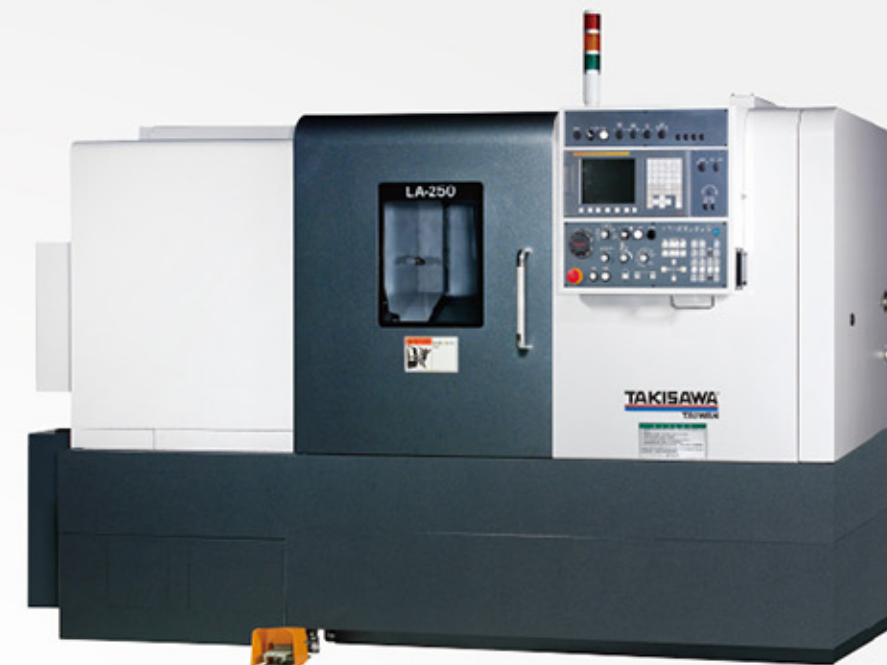
Tooling system
P.11



Specifications
P.12



Standard and optional accessories
P.13



LA-250 SERIES

LA250[L] Turning
LA-250M[L] Turning and Milling
LA-250Y[L] Turning and Milling with Y axis



LA-300

LA-300 Turning



LA-250 | LA-300 Series

LA

250/300 SERIES

High Performance Model Range

- Modulized structure with optional C axis and Y axis.
- Box way design for all machining axes.
- Takisawa in-house turret and spindle featuring high rigidity and accuracy with easy maintenance.
- Minimum footprint, maximum working space.
- High productivity to investment cost ratio.



LA-250[L] Specifications

Max. swing	580 mm
Max. turning length	765[1165] mm
Max. turning diameter	450 mm
Max. bar work capacity	75(90) mm
Spindle speed	3500 rpm
Chuck size	10"



LA-250M[L] Specifications

Max. swing	580 mm
Max. turning length	733.5[1133.5] mm
Max. turning diameter	420 mm
Max. bar work capacity	75 mm
Spindle speed	3500 rpm
Chuck size	10"



LA-250Y[L] Specifications

Max. swing	580 mm
Max. turning length	746.5[1146.5] mm
Max. turning diameter	350 mm
Max. bar work capacity	75 mm
Spindle speed	3500 rpm
Chuck size	10"



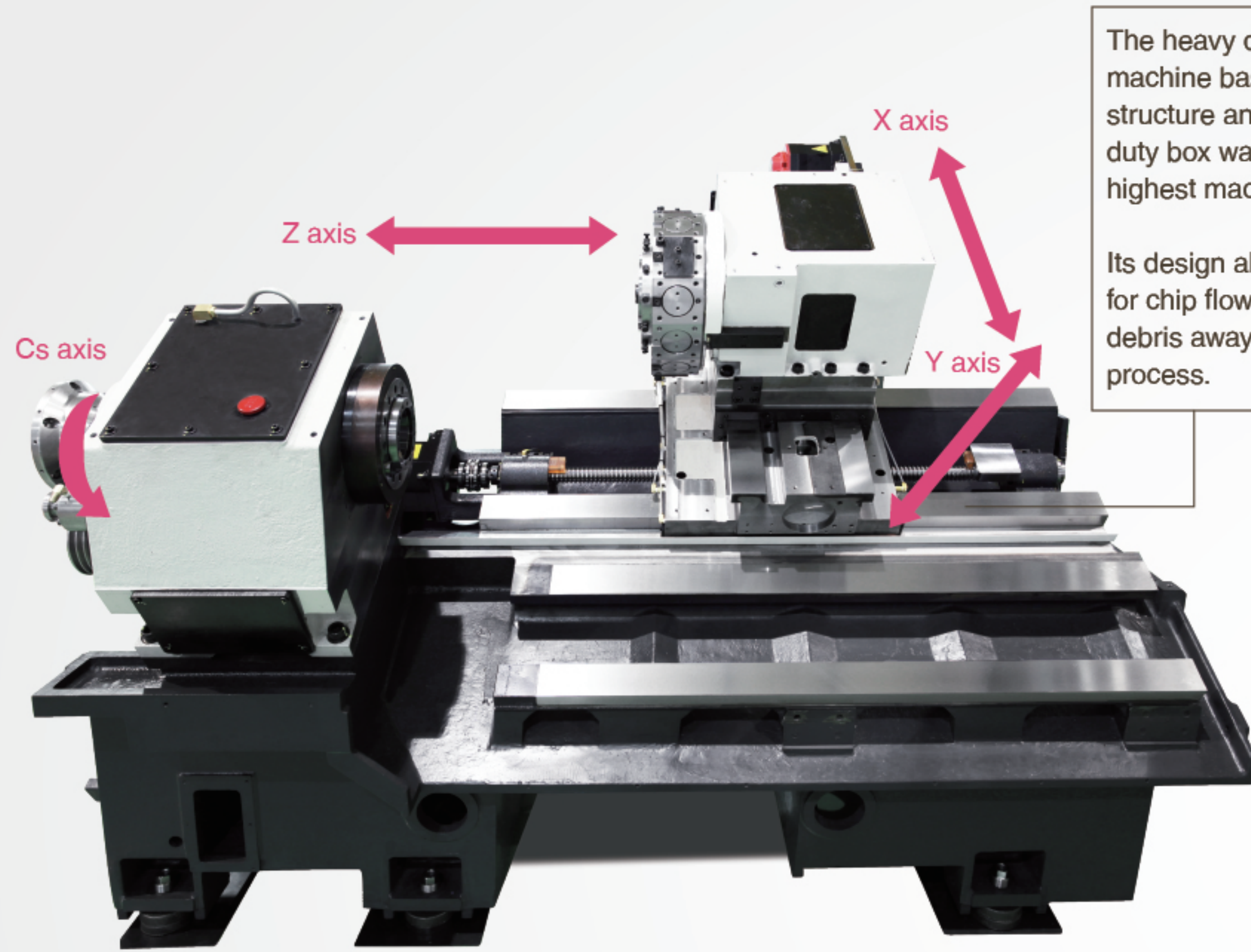
LA-300 Specifications

Max. swing	580 mm
Max. turning length	1086.9 mm
Max. turning diameter	450 mm
Max. bar work capacity	90 mm
Spindle speed	3000 rpm
Chuck size	12"(15")

※ Specifications are subject to change without notice.



LA-250 | LA-300 Series



The heavy duty one-piece slant bed machine base is an extremely rigid structure and together with its heavy duty box way design promotes the highest machining accuracy.

Its design also allows ample space for chip flow and easy clearance of debris away from the machining process.

Travel & Feedrate

LA-250[L]	
X axis travel	245[255] mm
X axis rapid traverse rate	16 m/min
Z axis travel	800[1200] mm
Z axis rapid traverse rate	20 m/min

LA-250M[L]	
X axis travel	255 mm
X axis rapid traverse rate	16 m/min
Z axis travel	800[1200] mm
Z axis rapid traverse rate	20 m/min

LA-250Y[L]	
X axis travel	220 mm
X axis rapid traverse rate	16 m/min
Z axis travel	800[1200] mm
Z axis rapid traverse rate	20 m/min
Y axis travel	±50 mm
Y axis rapid traverse rate	8 m/min

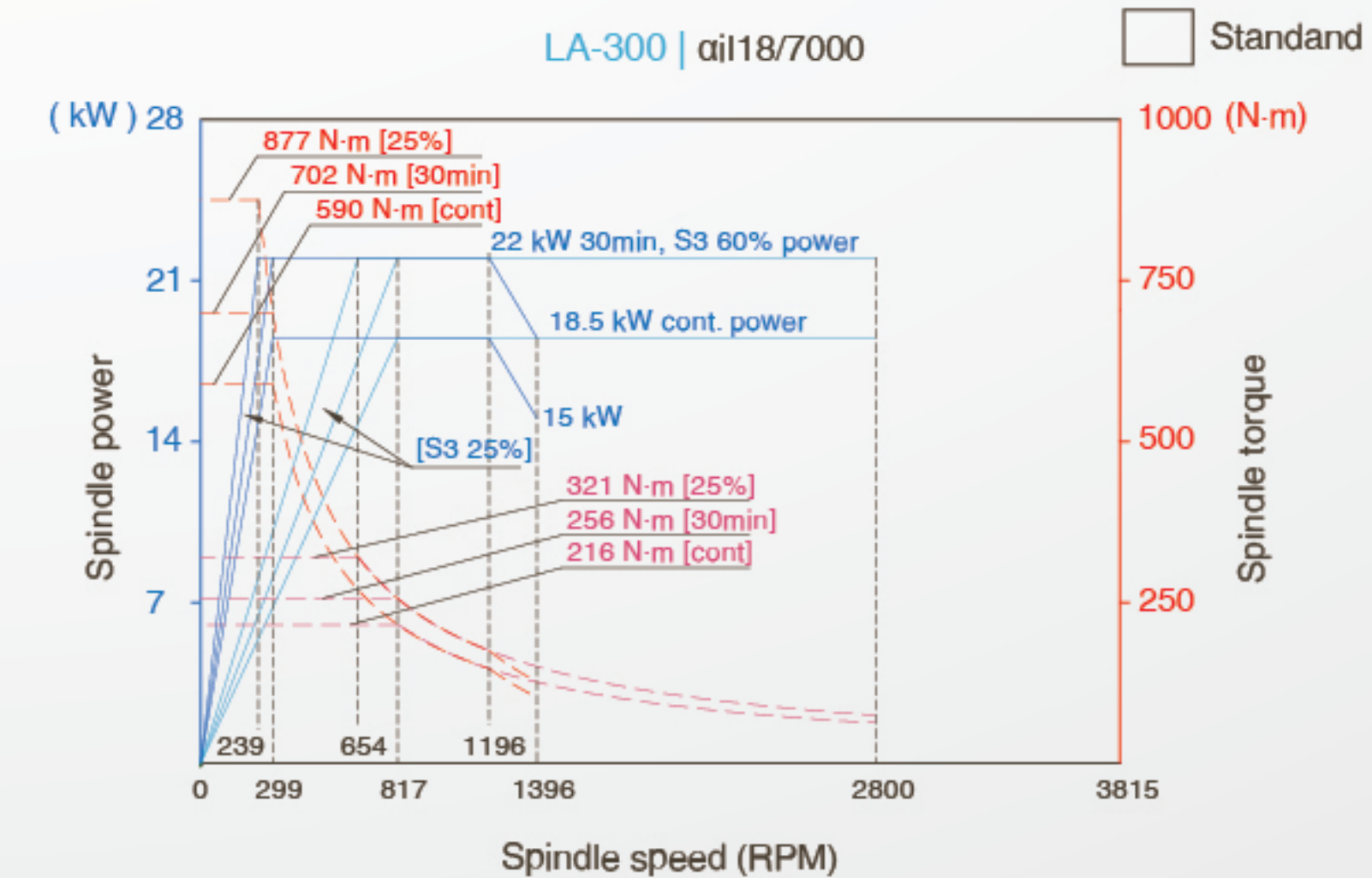
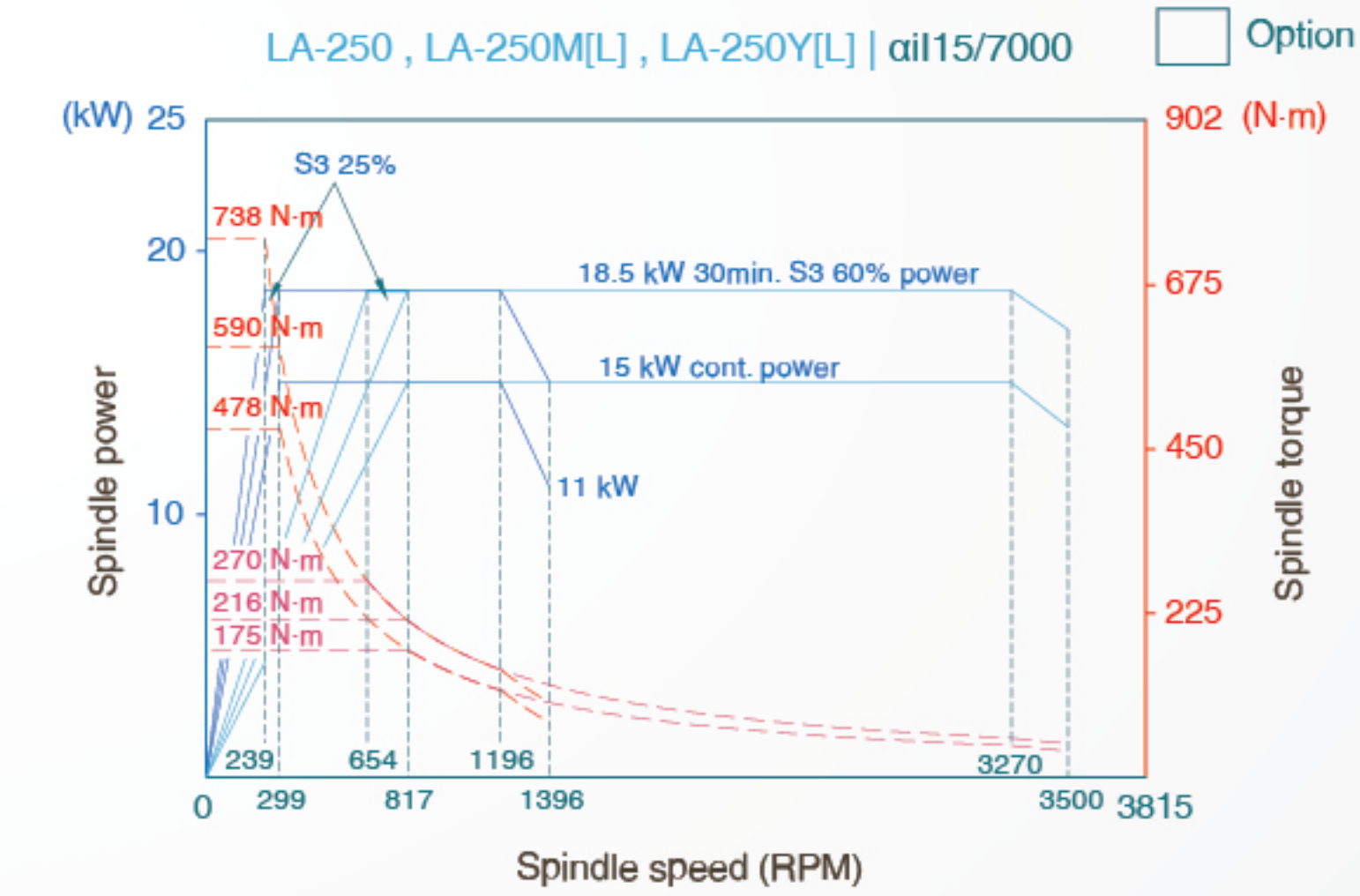
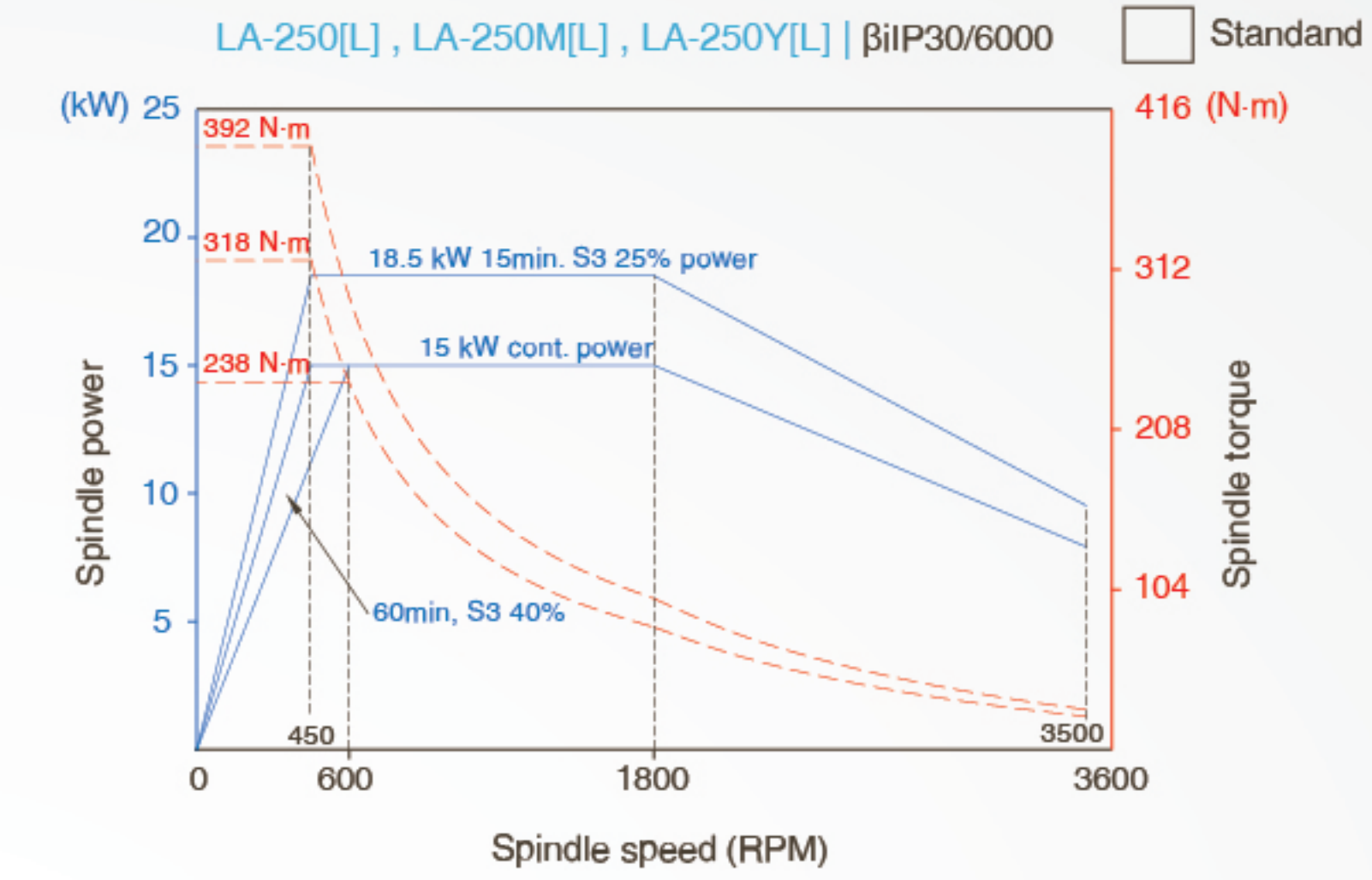
LA-300	
X axis travel	245 mm
X axis rapid traverse rate	16 m/min
Z axis travel	1200 mm
Z axis rapid traverse rate	20 m/min

※ Specifications are subject to change without notice.



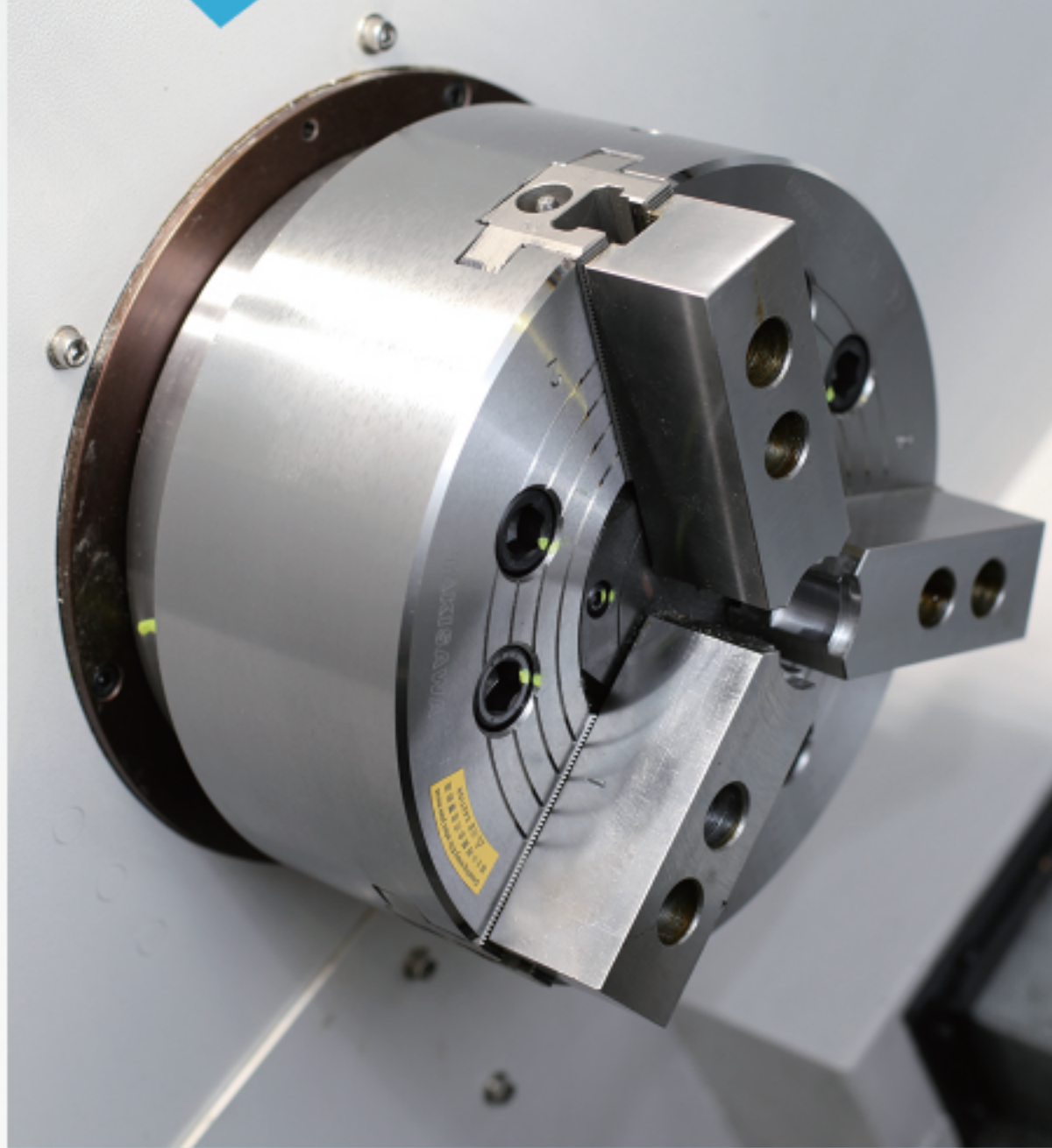
Spindle output diagram

Powered by FANUC MOTOR for high stability & high accuracy.

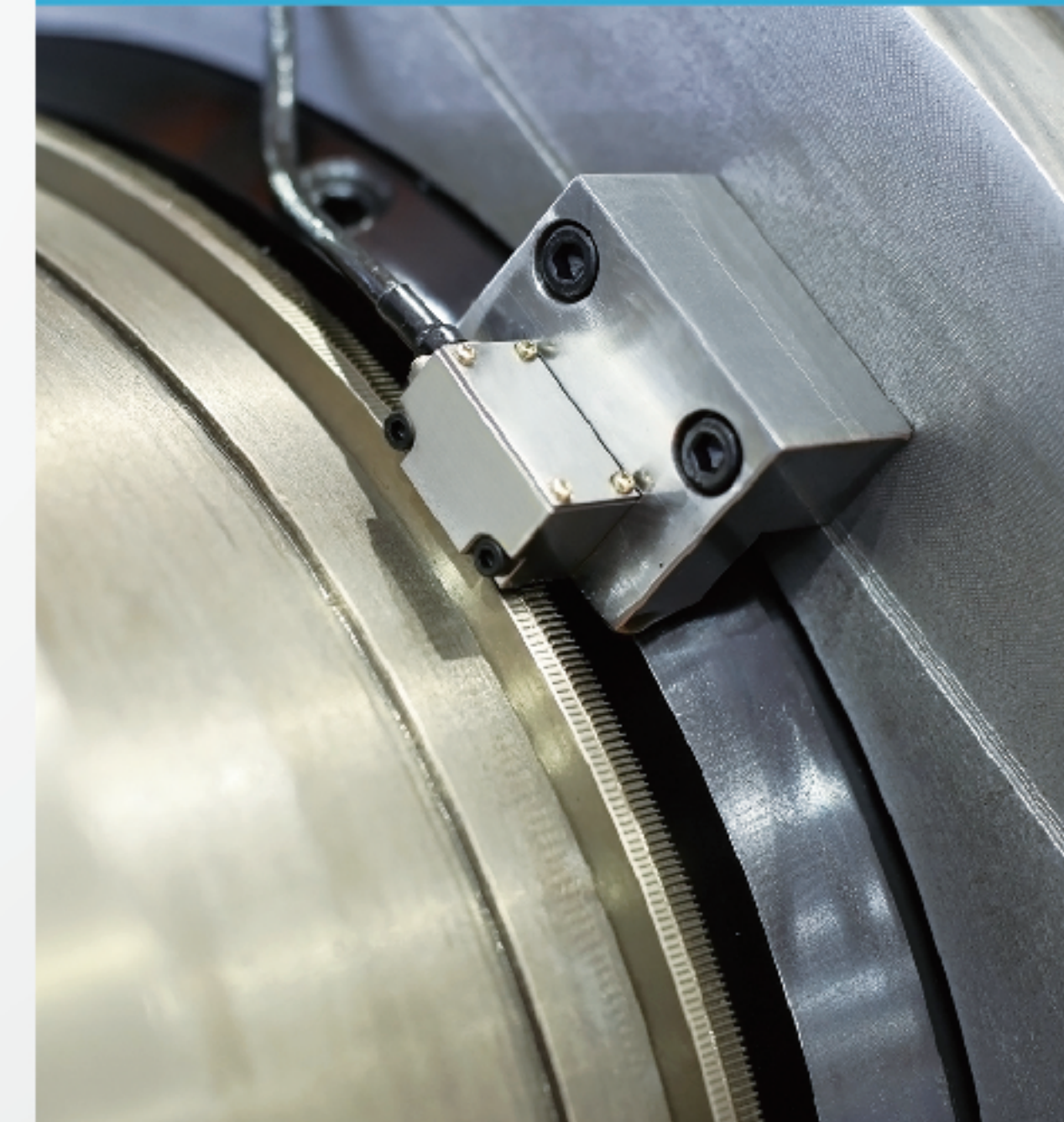


LA

250/300 SERIES



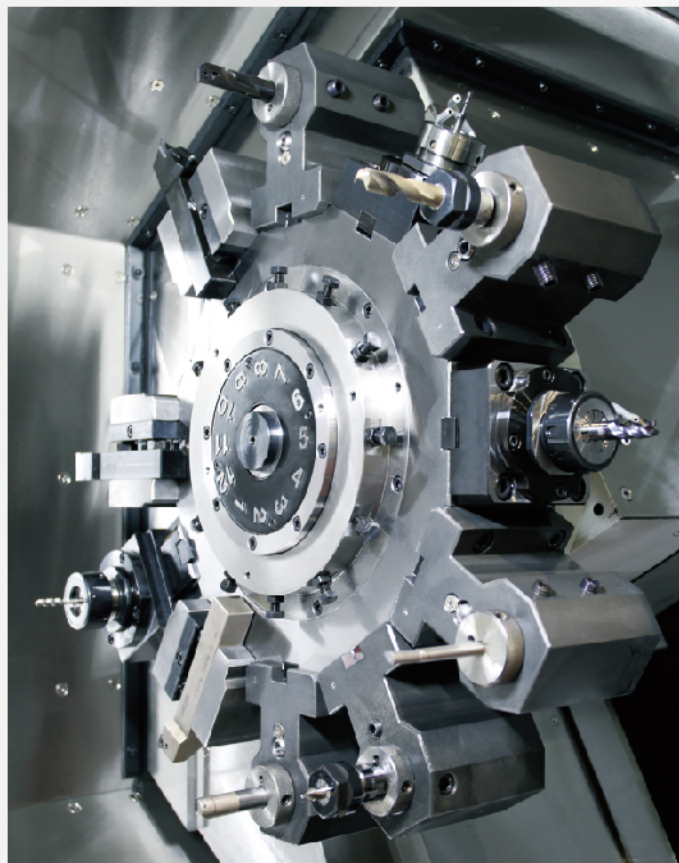
The spindle incorporates double rows of cylindrical bearings to improve the quality and accuracy of machining.



The LA series with C-axis positioning allows driven tool milling avoiding artifacts generated by compounding movement errors, giving higher accuracy with shorter process times and less effort.



Turret specifications



The turret is designed for extreme rigidity through its wide and heavy build, inclusion of heavy duty oversized couplings and enhanced clamping pressure.

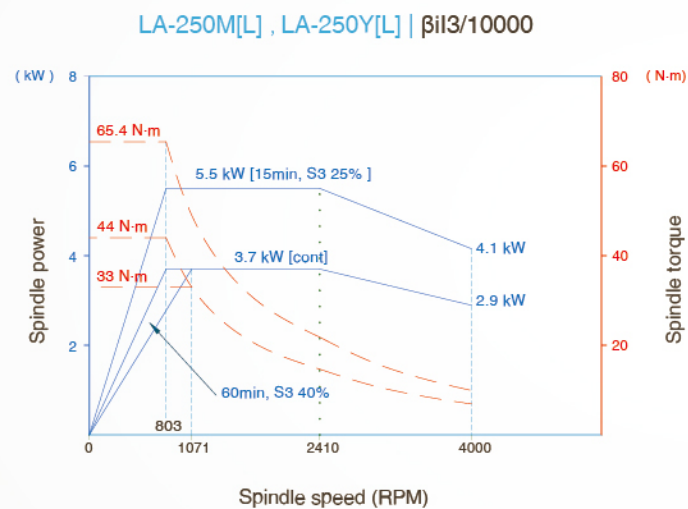


Milling turret

- LA-250M[L] / LA-250Y[L]
- Motor ————— 3.7/5.5 kW
- Milling speed ————— 4000 rpm
- Live tool collet ————— ER32



Power chart of milling tool

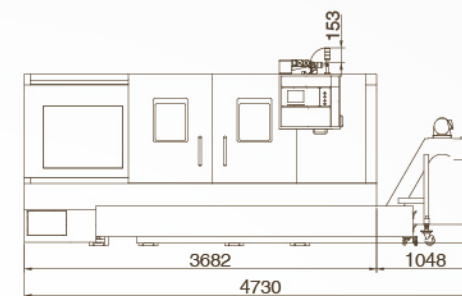


LA

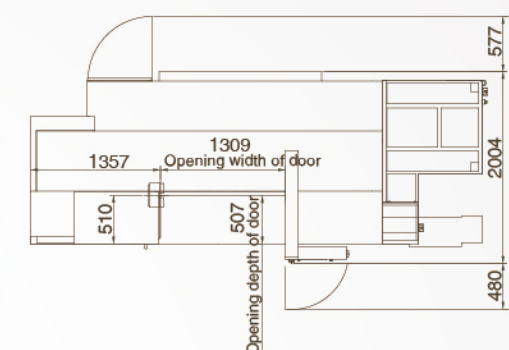
Machine dimensions

250/300 SERIES

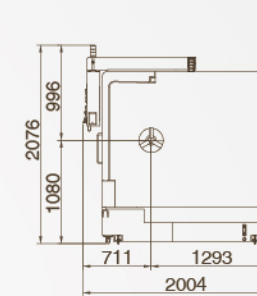
LA-250L, LA-250ML, LA-300 | Front



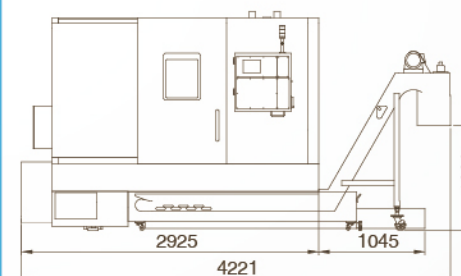
LA-250L, LA-250ML, LA-300 | Overlook



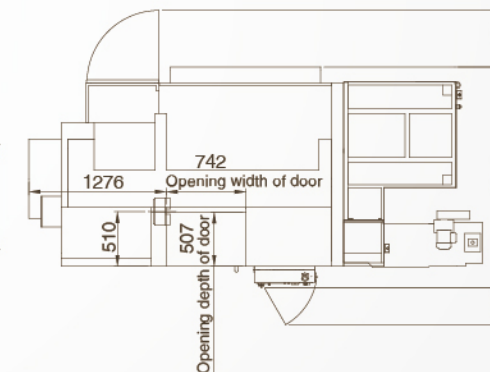
LA-250L, LA-250ML, LA-300 | Side



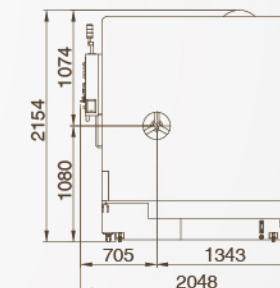
LA-250Y | Front



LA-250Y | Overlook

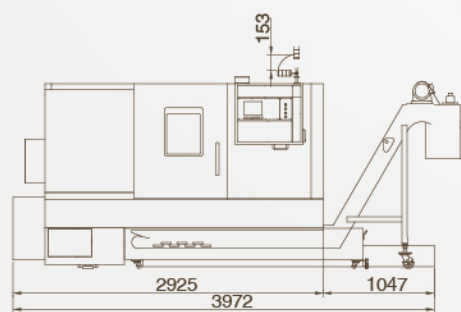


LA-250Y | Side

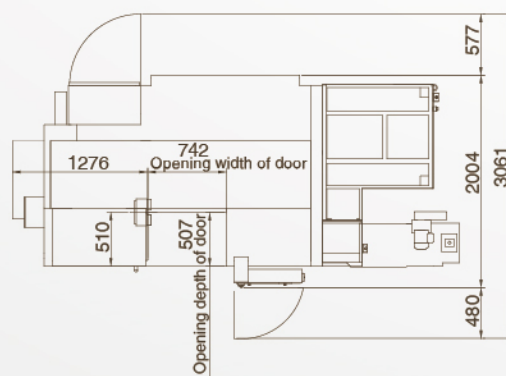


Machine dimensions

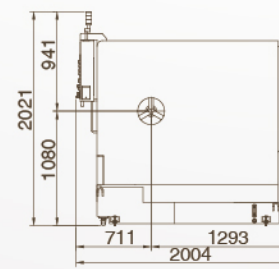
LA-250, LA-250M | Front



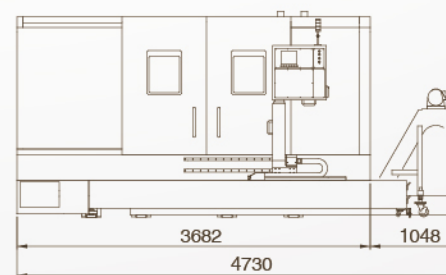
LA-250, LA-250M | Overlook



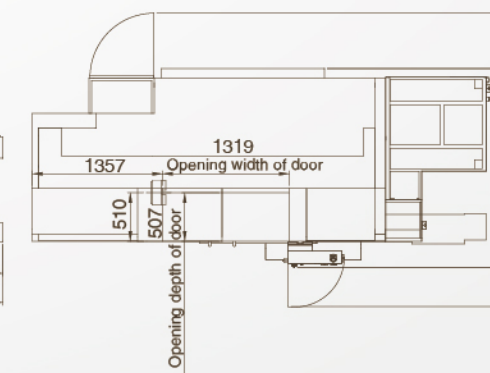
LA-250, LA-250M | Side



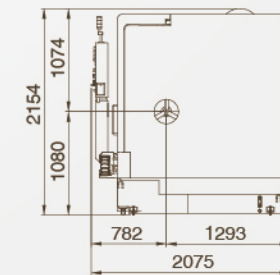
LA-250YL | Front



LA-250YL | Overlook



LA-250YL | Side





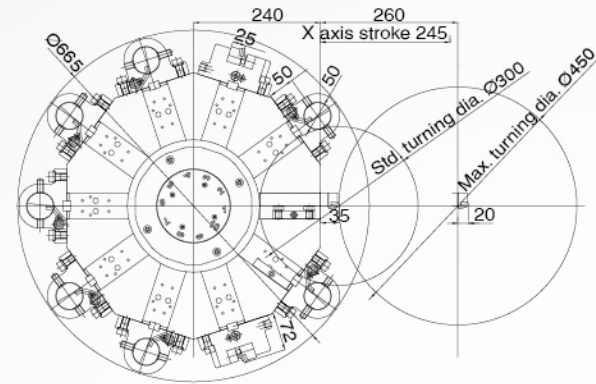
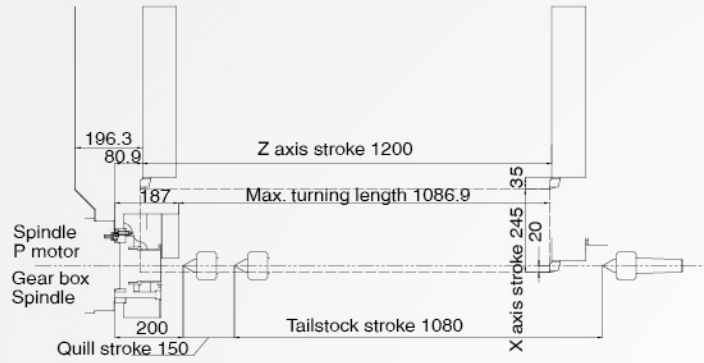
Working range | Interference diagram

LA

250/300 SERIES

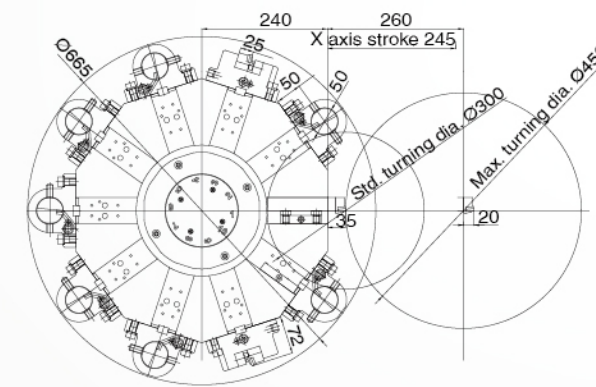
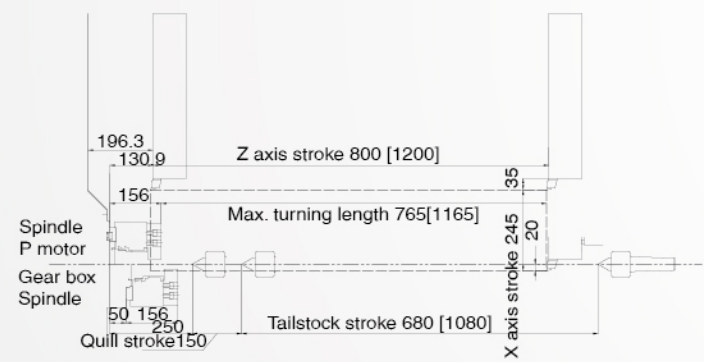
LA-300 Working Range

LA-300 Interference Diagram (T10)

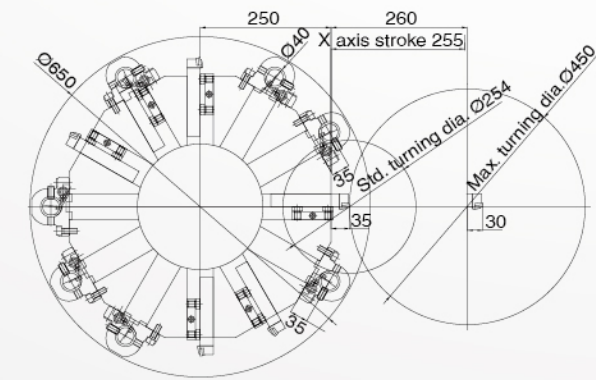


LA-250[L] Working Range

LA-250[L] Interference Diagram (T10)



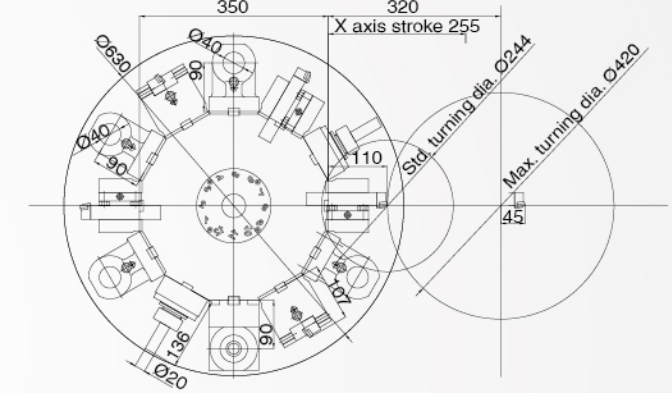
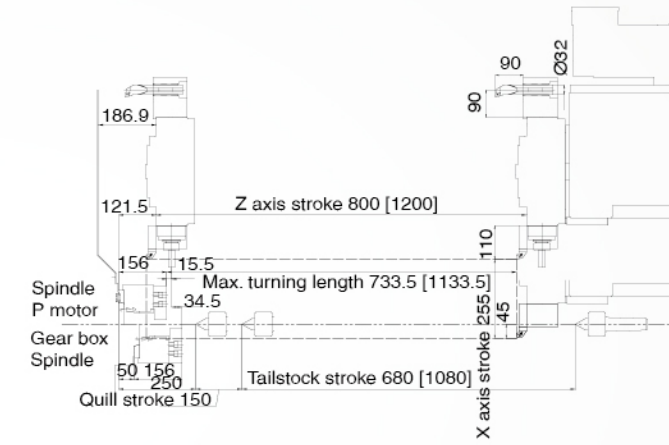
LA-250[L] Interference Diagram (T12)



LA-300 | LA-250 [L]

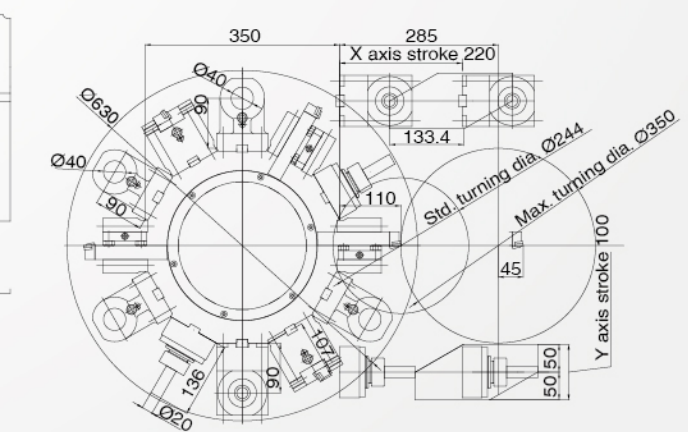
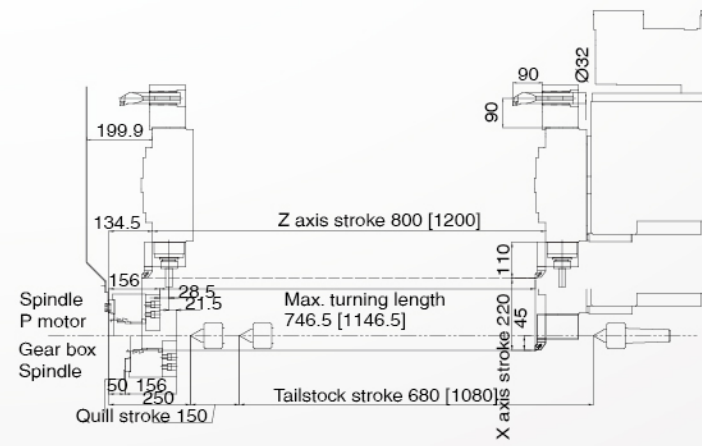
LA-250M[L] Working Range

LA-250M[L] Interference Diagram



LA-250Y[L] Working Range

LA-250Y[L] Interference Diagram

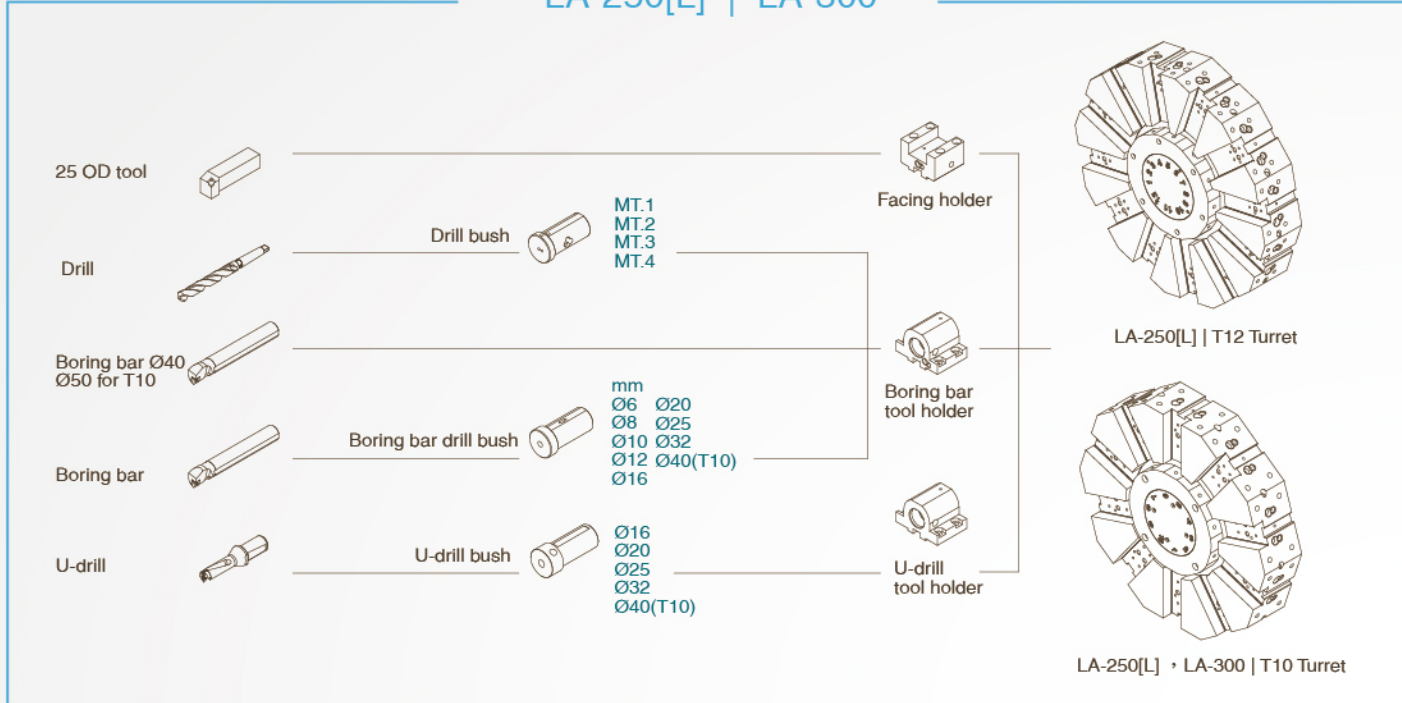


LA-250M [L] | LA-250Y [L]

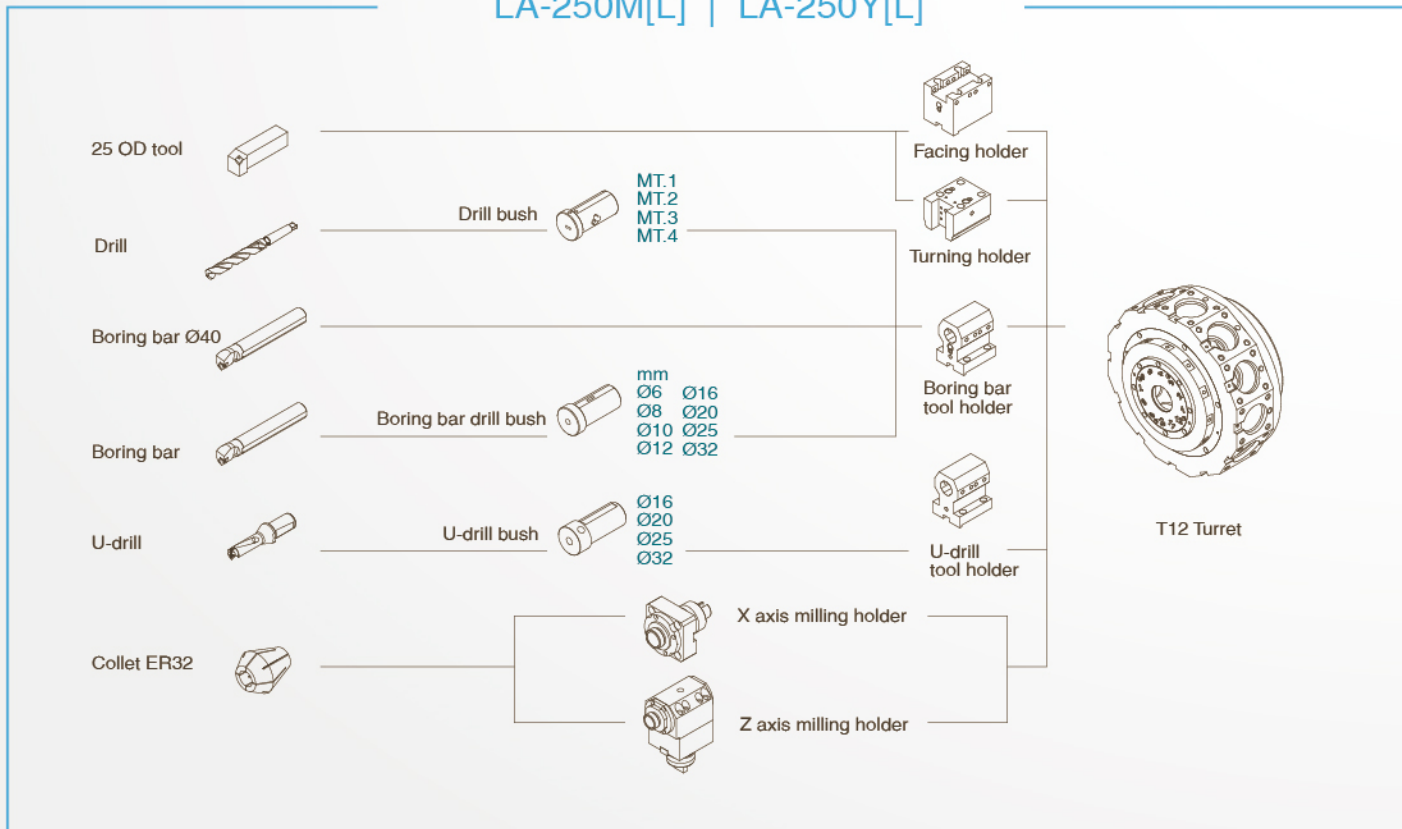


Tooling system

LA-250[L] | LA-300



LA-250M[L] | LA-250Y[L]



Specifications

LA

250/300 SERIES

Remark1 : () Option
Remark2 : M : Milling Y : Y axis

Item	Unit	LA-250[L]	LA-250M[L]	LA-250Y[L]	LA-300
Capacity					
Max. swing	mm	580	580	580	580
Std. turning diameter	mm	300(T10) 254(T12)	244	244	300(T10)
Max. turning diameter	mm	450	420	350	450
Max. turning length	mm	765[1165]	733.5[1133.5]	746.5[1146.5]	1086.9
Max. bar work capacity	mm	75	75	75	90
Travel					
X axis travel	mm	245(T10) 255(T12)	255	220	245
Z axis travel	mm	800[1200]	800[1200]	800[1200]	1200
Y axis travel	mm	---	---	±50	---
Spindle					
Spindle speed	rpm	3500	3500	3500	3000
Chuck size		10"	10"	10"	12"(15")
Spindle nose		A2-8	A2-8	A2-8	A2-8
Through hole diameter	mm	86	86	86	102
Bearing diameter	mm	120	120	120	140
Turret					
Number of tools		T10(T12)	T12	T12	T10
Turning tool shank	mm	25	25	25	25
Boring bar shank diameter	mm	T10(50) T12(40)	40	40	50
Milling tool shank diameter	mm	---	20	20	---
Tailstock					
Tailstock travel	mm	680[1080]	680[1080]	680[1080]	1080
Tailstock spindle diameter	mm	110	110	110	110
Taper hole of tailstock spindle		MT.5	MT.5	MT.5	MT.5
Tailstock spindle travel	mm	150	150	150	150
Feedrate					
X axis rapid traverse rate	m/min	16	16	16	16
Z axis rapid traverse rate	m/min	20	20	20	20
Y axis rapid traverse rate	m/min	---	---	8	---
Motor					
Spindle drive motor	kW	15/18.5	15/18.5	15/18.5	18.5/22
Milling motor	kW	---	3.7/5.5	3.7/5.5	---
Turret index motor	kW	1.2	1.2	1.2	1.2
X axis drive motor	kW	1.8	1.8	2.5	1.8
Z axis drive motor	kW	2.5	2.5	2.5	2.5
Y axis drive motor	kW	---	---	2.5	---
Size					
Width	mm	2925[3682]	2925[3682]	2925[3682]	3682
Height	mm	2021[2076]	2021[2076]	2154	2076
Depth	mm	2004	2004	2048[2075]	2004
Weight	kg	4500[7450]	4550[7500]	6200[9300]	7500

※ Specifications are subject to change without notice.



Standard and optional accessories

☆ : Standard accessories --- : NO ◎ : Optional accessories

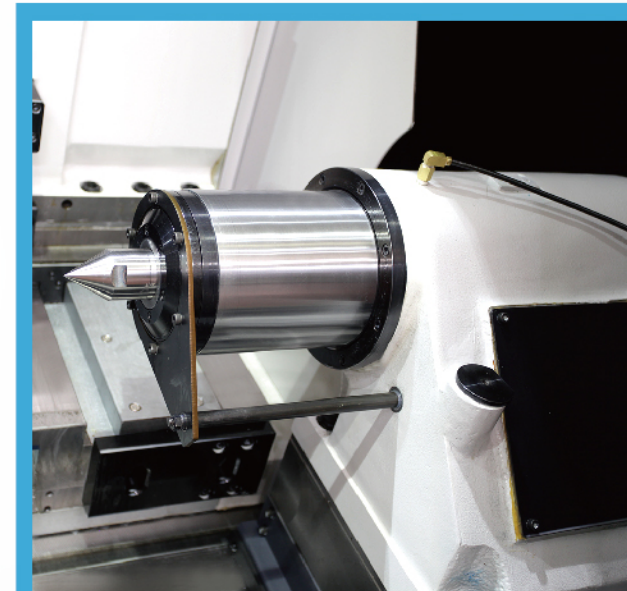
Item	LA-250[L]	LA-250M[L]	LA-250Y[L]	LA-300
Accessories				
Variable speed spindle	☆	☆	☆	☆
Hi-low Gearbox Spindle	◎	◎	◎	◎
Built in spindle motor	---	---	---	---
Hydraulic servo turret	☆	☆	☆	☆
Hydraulic tailstock	☆	☆	☆	☆
Manual tailstock base	---	---	---	---
Manual PIN tailstock base	☆	☆	☆	☆
Automatic PIN tailstock base	◎	◎	◎	◎
Boring bar tool holder (4PCS)	☆	☆	☆	☆
U-drill tool holder (1PCS)	☆	☆	☆	☆
Angle type tool holder (1PCS)	☆	☆	☆	☆
OD tool holder(1PCS)	---	☆	☆	---
Boring bar bush ø6	☆	☆	☆	☆
Boring bar bush ø8	☆	☆	☆	☆
Boring bar bush ø10	☆	☆	☆	☆
Boring bar bush ø12	☆	☆	☆	☆
Boring bar bush ø16	☆	☆	☆	☆
Boring bar bush ø20	☆	☆	☆	☆
Boring bar bush ø25	☆	☆	☆	☆
Boring bar bush ø32	☆	☆	☆	☆
Boring bar bush ø40	☆(T10)(T12)	---	---	☆
U-drill bush ø16	☆	☆	☆	☆
U-drill bush ø20	☆	☆	☆	☆
U-drill bush ø25	☆	☆	☆	☆
U-drill bush ø32	☆	☆	☆	☆
Drill bush MT.1	◎	◎	◎	◎
Drill bush MT.2	◎	◎	◎	◎
Drill bush MT.3	◎	◎	◎	◎
Drill bush MT.4	◎	◎	◎	◎
X axis live tool holder (1PCS)	---	☆	☆	---
Z axis live tool holder (1PCS)	---	☆	☆	---
Hanger (2PCS)	◎	◎	◎	◎
Leveling pad	☆	☆	☆	☆
Wedge	☆	☆	☆	☆
Working lamp	☆	☆	☆	☆
Tool box	☆	☆	☆	☆
Operation manual	☆	☆	☆	☆
Hydraulic chuck	☆	☆	☆	☆
Foot switch	☆	☆	☆	☆

※ Specifications are subject to change without notice.

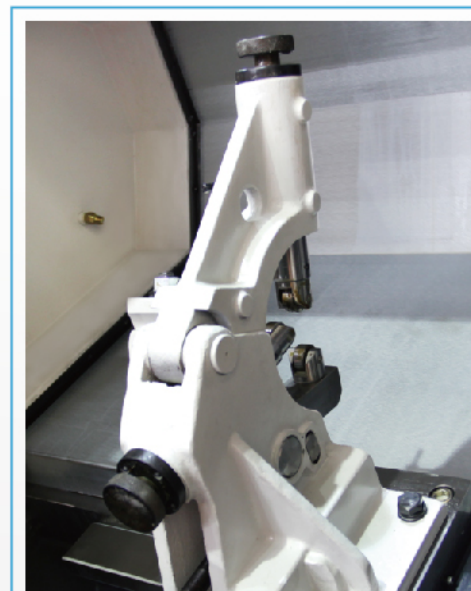
Item	LA-250	LA-250M[L]	LA-250Y[L]	LA-300
Optional accessories				
Chip conveyor & chip cart	◎	◎	◎	◎
Tool setter	◎	◎	◎	◎
Parts catcher	◎	◎	◎	◎
Parts conveyor	◎	◎	◎	◎
Barfeeder & Interface	◎	◎	◎	◎
Air blow	◎	◎	◎	◎
Automatic Power-off	◎	◎	◎	◎
Parts counter	◎	◎	◎	◎
Collet chuck	◎	◎	◎	◎
Manual steady rest	◎	◎	◎	◎
Hydraulic steady rest	◎	◎	◎	◎
Rotating tail stock	◎	◎	◎	◎
Oil mist collector	◎	◎	◎	◎
Water cooler	◎	◎	◎	◎



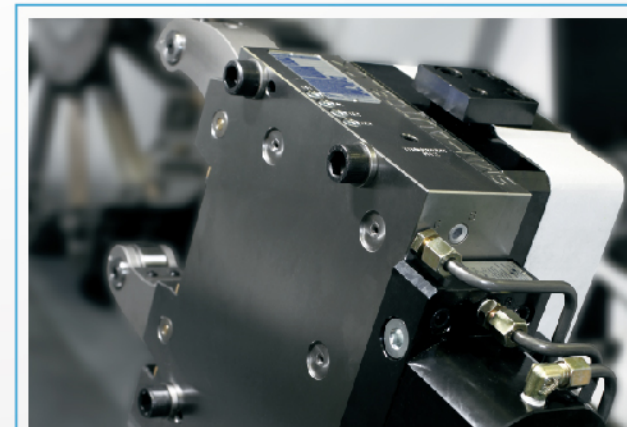
Collet chuck



Rotating tail stock
High thrust and clamping forces provide maximum stability especially when working with long workpieces.



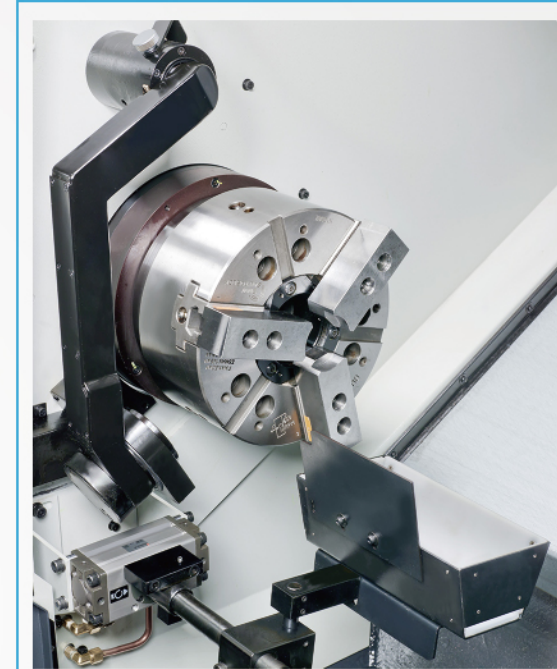
Manual steady rest



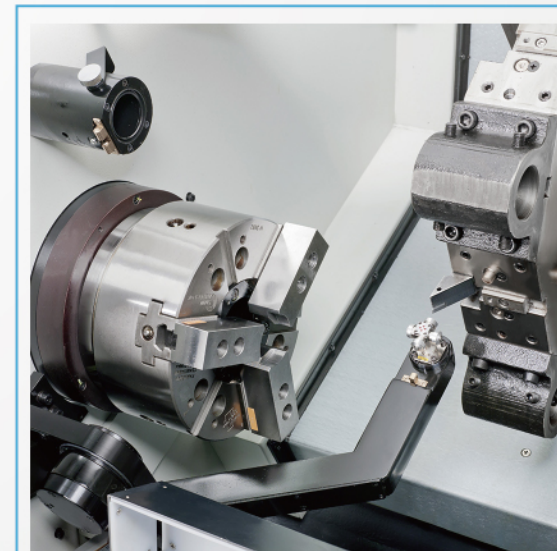
Hydraulic steady rest

LA

250/300 SERIES



Parts catcher



Tool setter