

TAKISAWA[®]
TAIWAN

FX-600



**TWIN TURRET
MULTIPLE AXIS
TURNING CENTER**

More



www.takisawa.com.tw

Taiwan TAKISAWA Technology Co., Ltd.

No.505, Sec. 3, Yanping Rd., Pingzhen Dist.,
Taoyuan City 324, Taiwan.
TEL : +886-3-464-3166 FAX : +886-3-464-2614

No.89, Sec. 1, Meishi Rd., Yangmei Dist.,
Taoyuan City 326, Taiwan.
TEL +886-3-481-3119 FAX : +886-3-481-3185
E-mail : callcenter@takisawa.com.tw

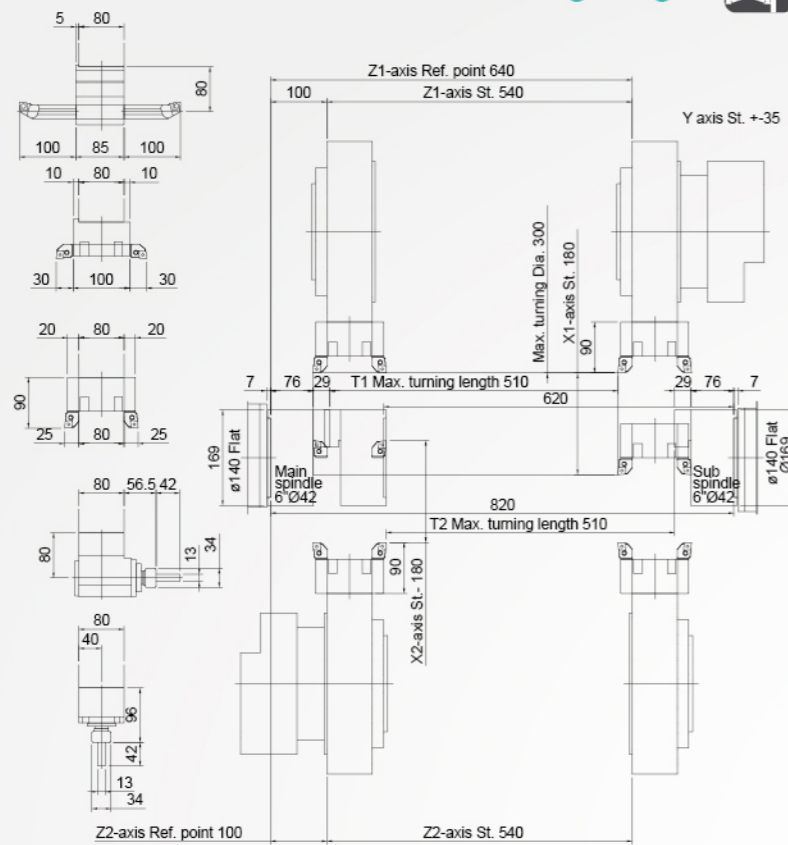
Shanghai TAKISAWA Mechatronics Ltd.

No.1568, Yuanguo Road, Anting Town, Jiading
District, Shanghai
TEL : +86-21-5956-2955 FAX : +86-21-5956-2956

TAKISAWA[®]
TAIWAN

Distributor

Working range



MULTI-PURPOSE MACHINE FOR PROCESS INTEGRATION AND HIGH PRODUCTIVITY



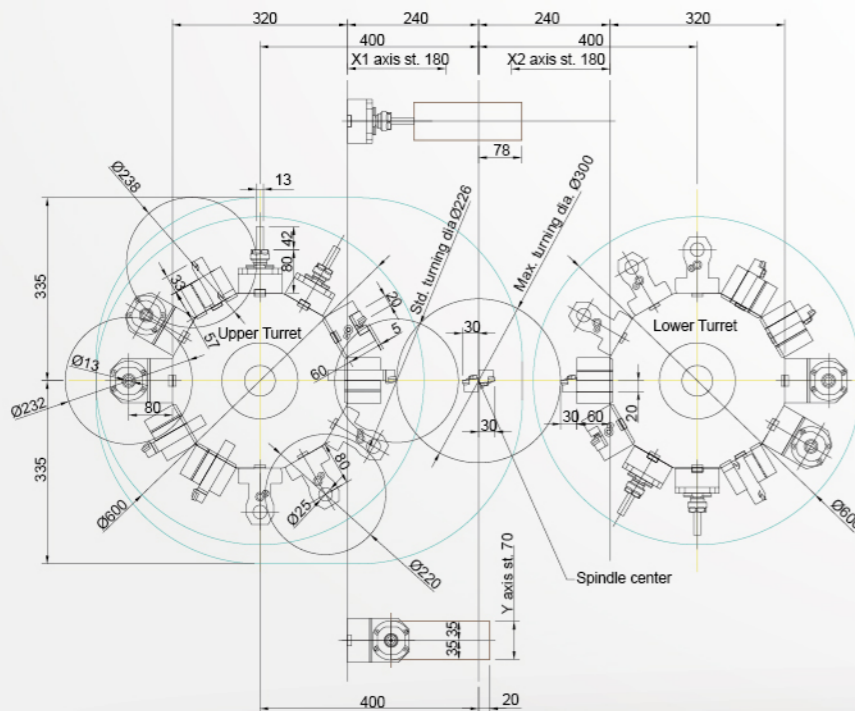
The FX-600 is designed for both easy operation and easy access for routine maintenance.

An upper turret with Y axis coupled with a lower turret allows great flexibility and speed for a wide variety of complex turning and milling applications making the FX-600 the perfect machine for short cycle times and high volumes.

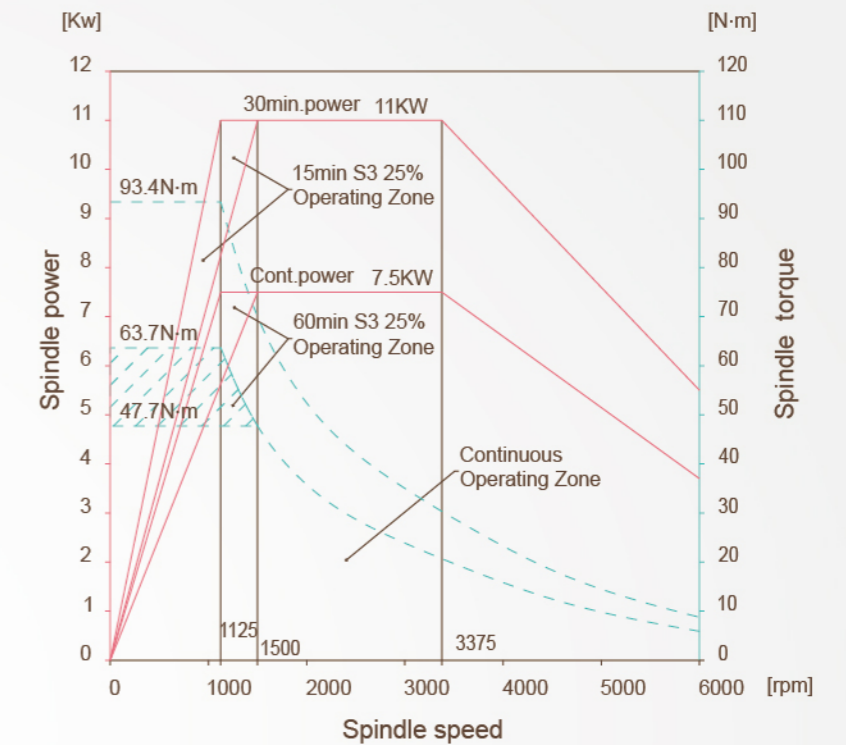
Heavy duty twin turrets and highly rigid twin spindles with precise indexing greatly enhance machining accuracy.



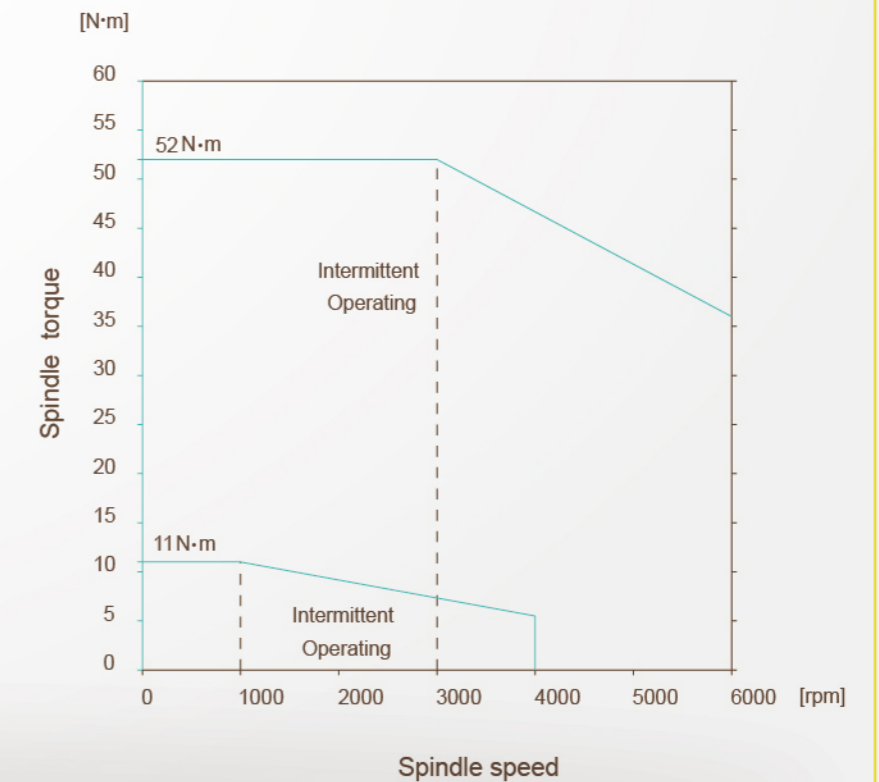
Interference diagram



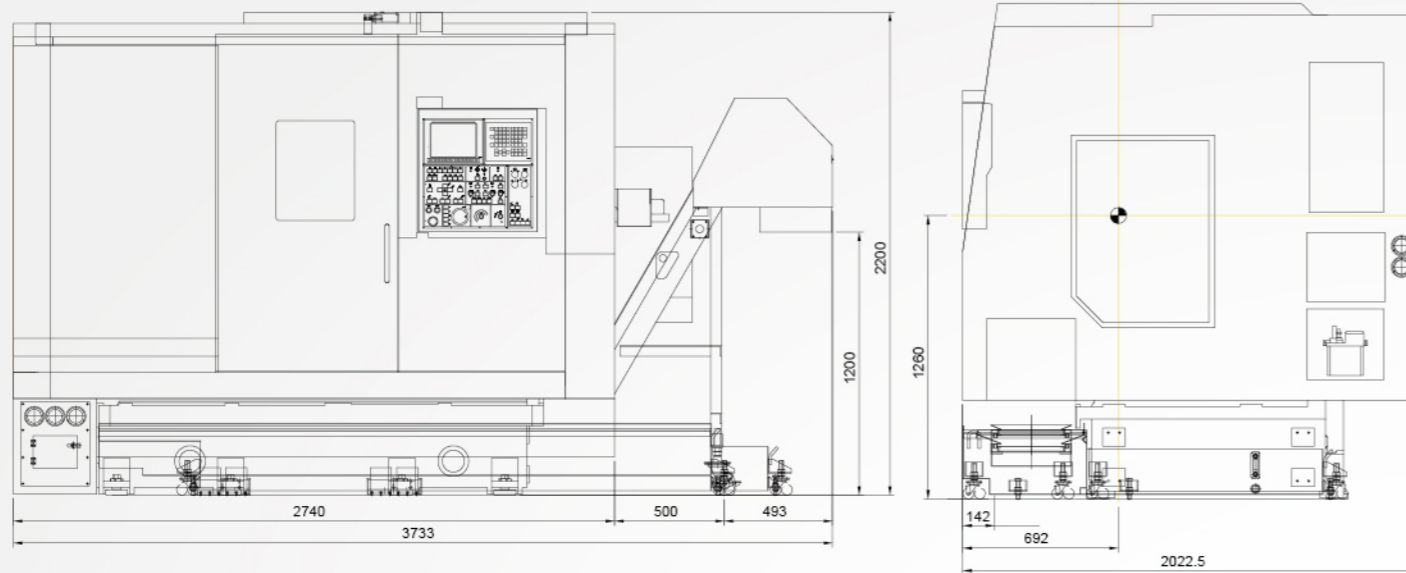
Spindle output diagram



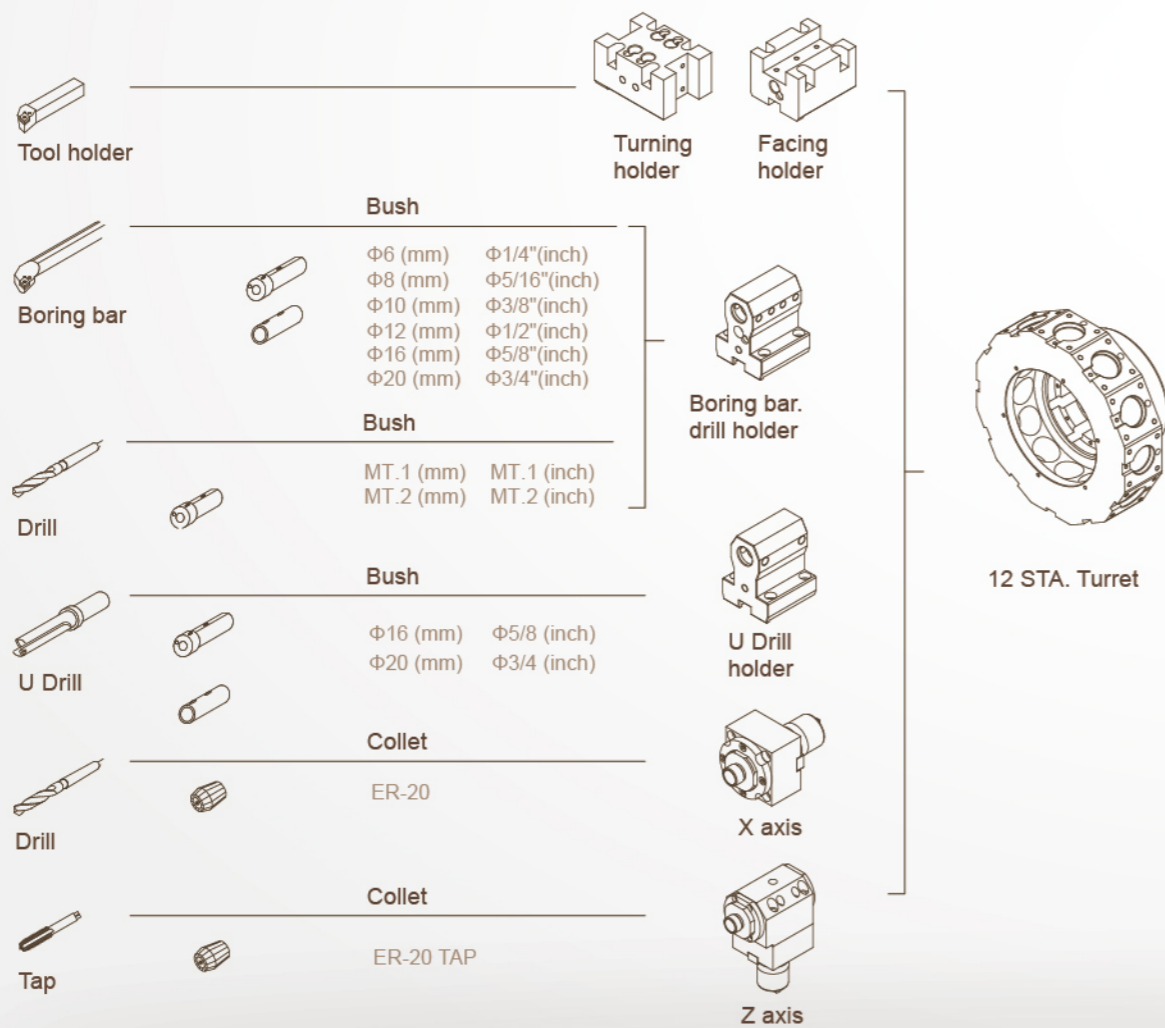
Power chart for milling tool



Machine Dimensions



Tooling system

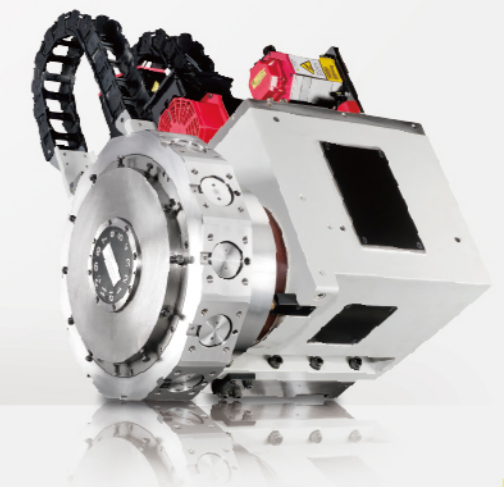


Specifications

Item	Unit	FX-600
Capacity		
Standard turning diameter	mm	220
Max. turning diameter	mm	300
Max. turning length	mm	510
Max. bar work capacity	mm	42 / 42
Distance between two spindle faces		Max.820 / Min.200
Spindle		
Spindle speed	rpm	6000
Chuck size		6"
Spindle nose		ø140FLAT
Through hole diameter	mm	56
Bearing diameter	mm	80
SUB. Spindle		
Spindle speed	rpm	6000
Chuck size		6"
Spindle nose		ø140FLAT
Through hole diameter	mm	56
Bearing diameter	mm	80
Turret		
Number of turrets		2
Number of tool stations		T12+T12
Turning tool shank	mm	20
Boring bar shank diameter	mm	25
Milling speed	rpm	6000
Milling shank diameter	mm	ø1-ø13

Item	Unit	FX-600
Travel		
X1 / X2 axes travel	mm	180 / 180
Z1 / Z2 axes travel	mm	540 / 540
Y axis travel	mm	±35
Feedrate		
X1 / X2 axes rapid traverse rate	m/min	20 / 20
Z1 / Z2 axes rapid traverse rate	m/min	40 / 40
Y axis rapid traverse rate	m/min	24
B axis rapid traverse rate	m/min	40
Motor		
Spindle drive motor	Kw	7.5 / 11
Sub. spindle drive motor	Kw	7.5 / 11
Milling motor	Kw	2.2
Turret index motor	Kw	1.2
X1 / X2 axes drive motor	Kw	1.4 / 1.4
Z1 / Z2 axes drive motor	Kw	2.5 / 2.5
Y axis drive motor	Kw	1.2
B axis drive motor	Kw	2.5
Machine size		
Height	mm	2200
Width	mm	2740
Depth	mm	2022
Weight	kg	8000

※ Specifications are subject to change without notice.



TAKISAWA[®] BUILT TO JAPANESE QUALITY
TAIWAN STANDARDS BY TAIWAN TAKISAWA

